

Receiver

From

Company  
Reference  
Address  
Phone  
Fax  
E-mail

**Item n° :** Customer pos. no.:

102660100

**Model :**

JET 132 M

**Pump data**

Pressure rating : 6 bar  
Min. fluid temperature : 0 °C  
Max. fluid temperature : 35 °C  
Max. Ambient temperature : 40 °C

**Priming capacity :**

H m	2	3	4	5	6	7	8	9
Q l/min	78	72	67	61	54	46	38	31

**Requested data**

Flow:  
Head:  
Fluid : Water  
Fluid Temperature : 20 °C  
Density : 998,3 kg/m³  
Kinematic viscosity : 1,005 mm²/s  
Vapor pressure : 0,02 bar

**Hydraulic data (duty point)**

Flow:  
Head:

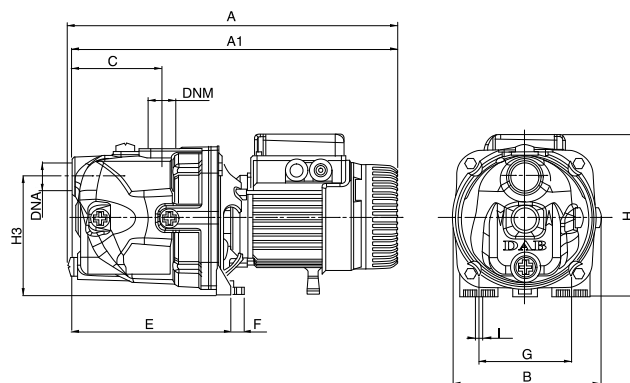
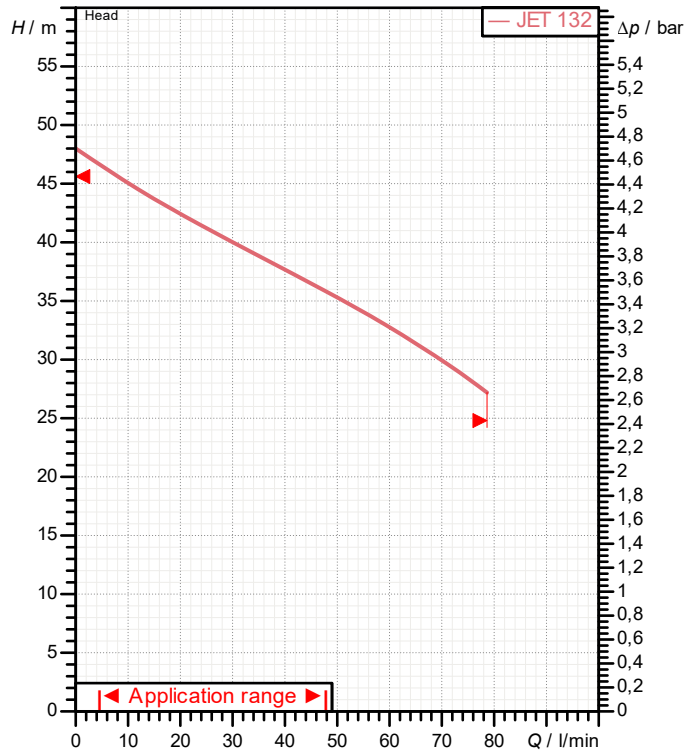
**Materials**

Pump body : Cast iron 200 UNI ISO 185  
Support : Die cast aluminium  
Impeller : Technopolymer A  
Mechanical seal : Carbon/Ceramic  
O-Ring : NBR Rubber  
Shaft with rotor : AISI 416 X12 CrS 13 UNI 6900/71  
Nozzle venturi diffuser assembly : Technopolymer A

**Motor data**

Motor brand : DAB  
Nominal power P2 : 1 kW  
Rated speed : 2.750 rpm  
Rated voltage : 1~ 230 V 50 Hz  
Nominal current : 6,6 A  
Degree of protection : IP 44

**Curve tolerance according to ISO 9906**



**Dimensions in mm**

A	414	DNA	1" G	G	111		
A1	409	DNM	1" G	H	203		
B	263	E	192	H3	144		
C	108	F	14	I Ø	9		

**Weight :** 13,5 kg

**Pump connection**

Suction side : 1" G / 6 bar  
Discharge side : 1" G / 6 bar



# PERFORMANCE CURVES

2025-03-05

Page 2 / 3

DAB PUMPS S.p.A.  
Via Marco Polo, 14 - 35035 Mestrino (PD), Italy  
Tel. +39 049 5125000 - Fax +39 049 5125950  
www.dabpumps.com

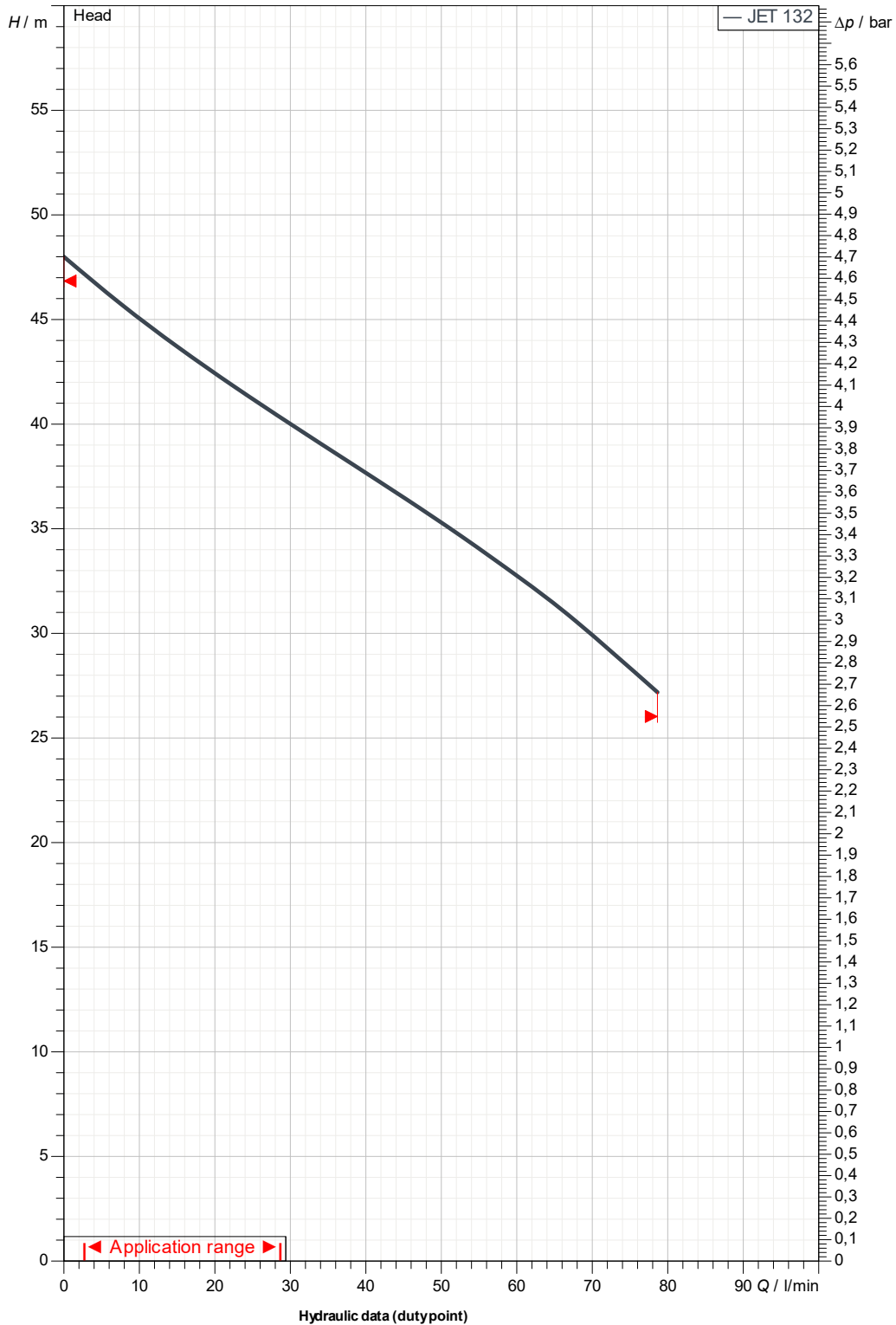
Receiver

From

Company  
Reference  
Address  
Phone  
Fax  
E-mail

## JET 132 M

Curve tolerance according to ISO 9906



Suction side :  
1" G  
6 bar

Discharge side :  
1" G  
6 bar

Flow :

Head :

Rated speed :  
2.750 rpm

Project

Project ID

Created by

Created on

2025-03-05



# DIMENSIONAL DRAWING

2025-03-05

Page 3 / 3

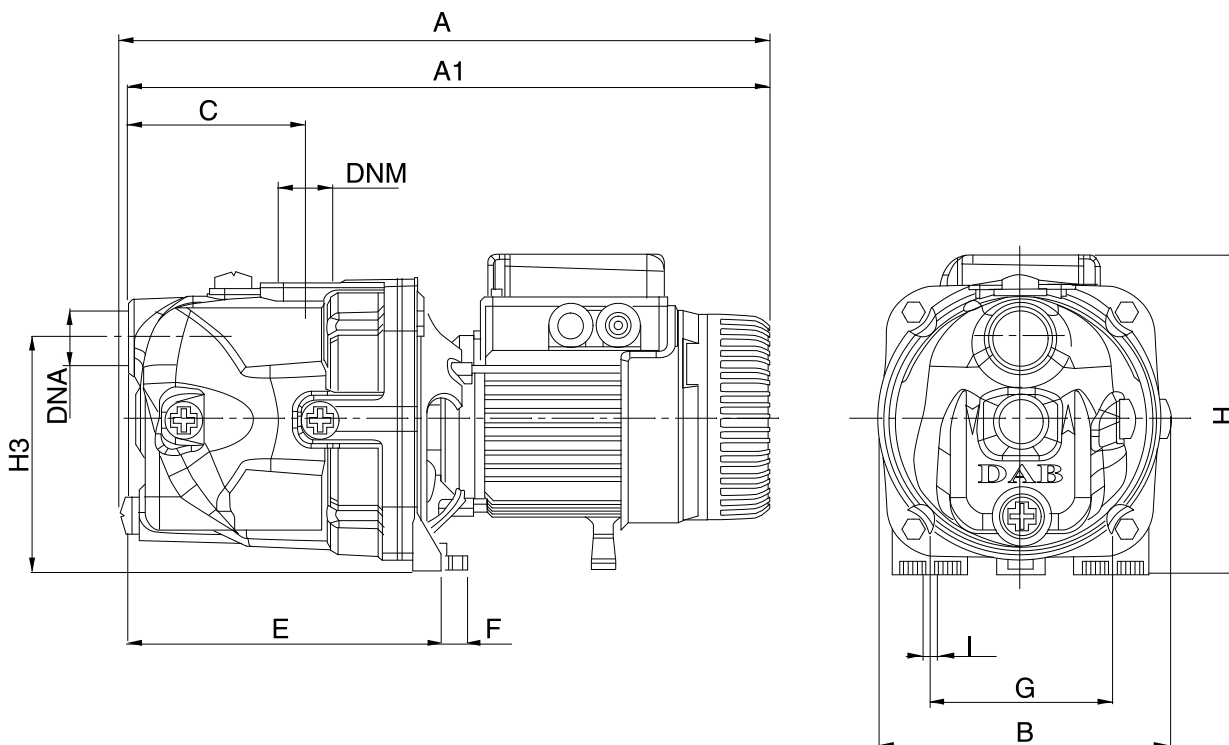
DAB PUMPS S.p.A.  
Via Marco Polo, 14 - 35035 Mestrino (PD), Italy  
Tel. +39 049 5125000 - Fax +39 049 5125950  
www.dabpumps.com

Receiver

From

Company  
Reference  
Address  
Phone  
Fax  
E-mail

## JET 132 M



**Dimensions in mm**

**Pump connection**

1	A	414	1 Ø	9			
2	A1	409					
3	B	263					Suction
4	C	108					1" G
5	DNA	1" G					6 bar
6	DNM	1" G					
7	E	192					Discharge
8	F	14					1" G
9	G	111					6 bar
10	H	203					
11	H3	144					

Project	Project ID	Created by	Created on
			<b>2025-03-05</b>